



PROVEN & TRUSTED SINCE 1952

Breading/Batter Table Open Cabinet

BBT-O



Scissors not included

Fresh chicken preparation was never simpler than with the Portable Breading and Batter Table.

- Open-cabinet design is simple to operate & easy to clean.
- **Canted Upper Shelf** holds container of fresh chicken, which has been prepared & ready for breading application.
- Hand-held hanging **Dunking Basket** facilitates dipping product into batter dip mixture & dumping into breading pan. The basket conveniently hooks between the pans when not in use.
- Optional **Spring-loaded Dunk Basket** sits inside the batter dip pan, after dipping, the hinged basket dumps product directly into the breading pan.
- Stainless steel pans lift out for quick clean-up.
- **Breading Pan** has bottom cutout with a removable **Plug**; when ready to sift breading, remove plug to dump used breading directly into **Sifter Pan** below.
- Built-in **Manual Sifter**; side rails hold the **Tote Pan** for catching reclaimed breading mix when sifting.
- Removable **14" x 22" Staging Tray** attaches (*without tools*) to either side of cabinet ... stage breaded product ready for the fryer. Breading "fall-off" is directed back into pan.
- Durable stainless steel construction.
- 2-Year Parts & Labor Warranty

Design Features and Options



Built-In Manual Breading Sifter System

When ready to sift remove the plug from the Breading pan to empty breading directly into the Sifter pan without handling the pan. The Tote pan below catches reclaimed breading mix when sifting. The Sifter pan & Tote pan slide on rails for easy cleaning.



Hanging Dunking Basket

The large hand-held hanging dunking basket provides for increased capacity and is dishwasher safe. It is unattached for freedom of movement and is designed to conveniently hook over the edge of pans, ready for use.



Optional Spring-Loaded Dunking Basket

The optional spring-loaded dunking basket sits inside batter dip pans. Springs lift basket from pan after dipping and hinged basket allows for easy dumping of product into the breading pan.

Standard Items Included

- Manual Sifter Pan • 2 White Plastic Tote Pans • White Plastic Tote Pan Lid • Plastic Colander • Removable Staging Tray
- 6" Deep Stainless Batter Dip Pan • 8" Deep Stainless Breading Pan w/ Removable Plug • Removable Breading Pan Plug
- Large Hanging Dunk Basket or Spring-Loaded Dunk Basket

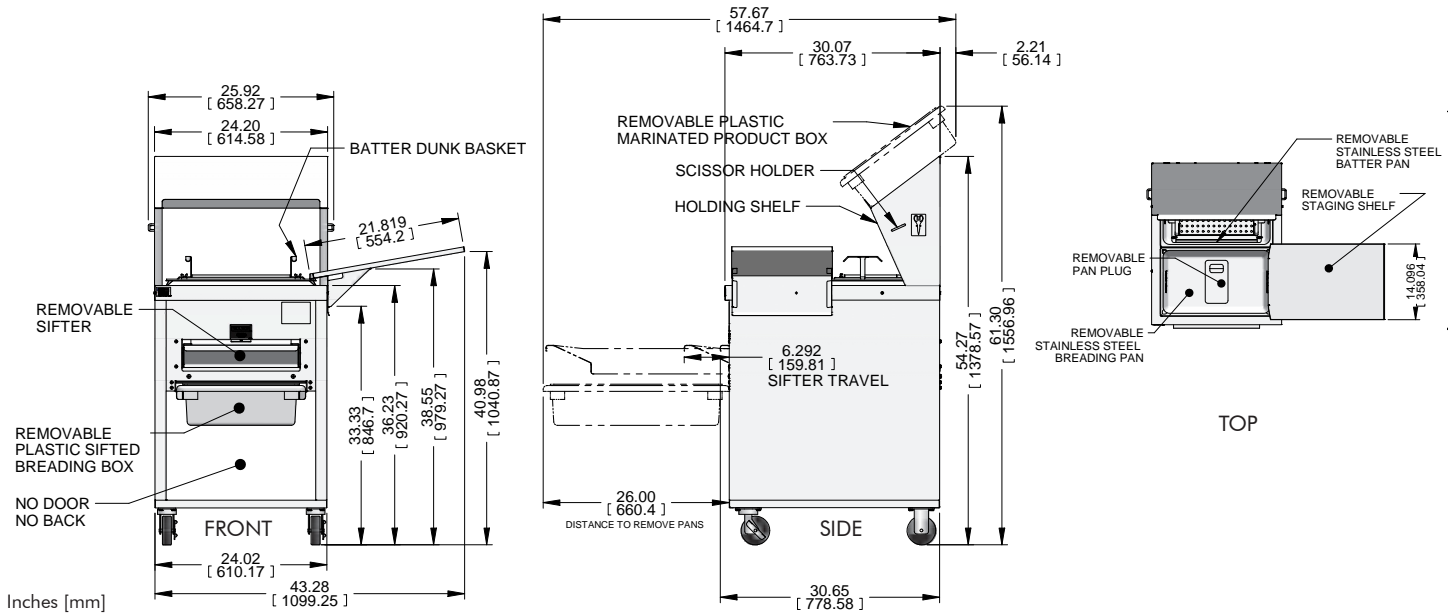
GILES Food Service Equipment

ISO 9001-2015 Certified

2750 Gunter Park Drive West • Montgomery, AL 36109 USA
Phone 334.272.1457 • Fax 334.239.4117 • Phone Toll Free 800.554.4537
Website: www.gfse.com • Email: services@gfse.com



66206
REV-D
ECO3550
11/24/2025
PRINTED IN USA



Specifications

*Specifications and/or product design are subject to change without notice. Such revisions do not entitle the buyer to corresponding changes, improvements, additions or replacements for previously purchased equipment.

Dimensions	Unit without Attachments	Unit with Attached Shelf, Product Box, + Sifter & Pan slid-out
Width	24" [610 mm]	43.28" [1099.25 mm]
Depth	30.65" [778.58 mm]	57.67" [1464.7 mm]
Height	54.25" [1378 mm]	61.30" [1557 mm]
Floor Space	5.11 ft ² [0.48 m ²]	17.33 ft ² [1.61 m ²]

Shipping Specifications:			
Width	32" [813mm]	Crated Wt.	195 lbs [88 kg]
Depth	44" [1118mm]		
Height	45" [1143mm]		
Cube	36.7 ft ³ [1.04m ³]		

How to Specify

Step 1: Select Base Part Number with Option **X X X X X - X**

Base Item	Model	Description
71814	BBT-O	Base Model with Hand-Held Hanging Dunk Basket

How to Specify Example

71814: BBT-O with Standard Hand-Held Hanging Dunk Basket
71814-1: BBT-O with Spring-loaded Dunk Basket Configuration (no standard hand-held hanging dunk basket)

Basket Option	Description
1	*Spring-Loaded Dunk Basket

*Optional Spring-Loaded Dunk Basket configuration replaces Standard Hand-Held Hanging Dunk Basket

**NOTE: Some field assembly and set-up is required
Disposable wrench provided**

Step 2: Select Extra/Optional Accessories & Quantities

Qty	Description	Part No.
	Large Hand-Held Hanging Dunk Basket	95410
	Spring-Loaded Dunk Basket	39065
	Manual Sifter Pan	97048
	Clip-on Staging Tray	33501
	Plastic Colander	71725

Qty	Description	Part No.
	Plastic White Tote Pan	70875
	Plastic White Tote Pan Lid	74700
	6" Deep Stainless Batter Dip Pan	38092
	8" Deep Stainless Breading Pan w/ removable plug	39368
	Breading Pan Plug	91469